

DESCRIPTION

- Chrome plated metal construction
- 1/2" IPS connections
- Supplied with vandal resistant screws

OPERATION

- Wrist Blade style handles with hot and cold color indicators
- Hot side counterclockwise (1/4) turn to open (clockwise to close)
- Cold side clockwise (1/4) turn to open (counter-clockwise to close)

FLOW

- Water usage is limited to these maximum flow rates as indicated by the corresponding product markings
 - 1.2 gpm mas (4.5L/min) at 60 psi.

CARTRIDGE

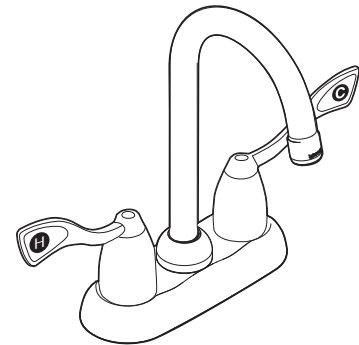
- 1224 cartridge design
- Nonmetallic and stainless steel construction

STANDARDS

- Third party certified to meet ASME A112.18.1/CSA B-125.1, NSF61/9 & 372 and all applicable requirements referenced therein
- Products marked with 1.2 gpm are compliant with California water efficiency regulations
- Complies with California Proposition 65 and with the Federal Safe Drinking Water Act
- **ADA** for lever handles

WARRANTY

- Warranted for 5 years against material or manufacturing defects

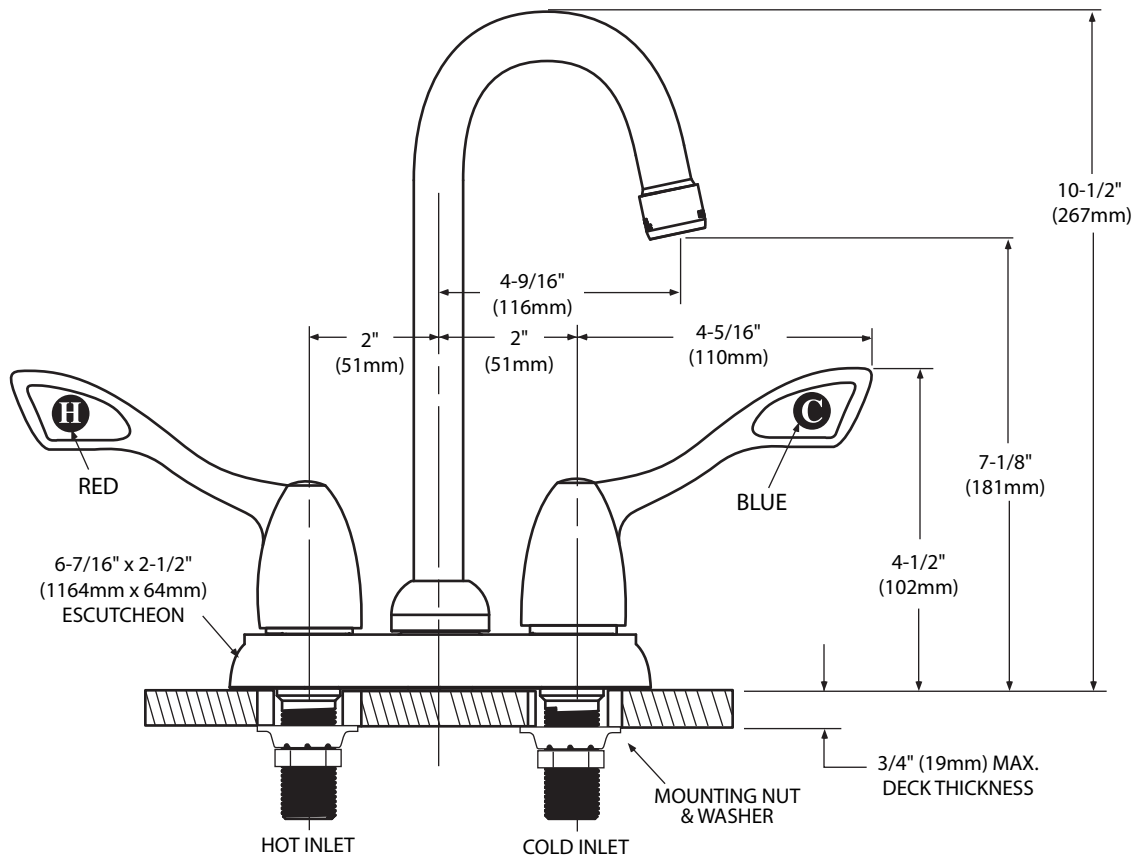


Two-Handle Bar Faucet

Model: 8938



NOTE: This faucet is designed to be installed through 2 holes, 1" min. dia. and 4" on center



CRITICAL DIMENSIONS

(DO NOT SCALE)